

Cyclic 635 Refrigerator / Freezer

Models

C335TR
C365HL C365HR
C370L C370R
C390TL C390TR

Fan Circulated Air

Models

C373L C373R
C450L C450R

Series

B & D



REPLACES PARTS MANUAL 517714

517716

PRODUCTS

Brand Fisher & Paykel, Frigidaire, Kelvinator, Shacklock

Voltage 220-240V 50Hz, 220V 60Hz*

Model	Series	Code	Single & Dual Temperature Cyclic Defrost Model							
C335TR	B	11146 11151 11479 11480 11481 11482 11547 11552 11553	11560 11585							
C365HL	B	11127								
	D	11194 NZ, 20383 NZ,								
C365HR	B	11128 11432 11434								
	D	11195 NZ, 20382 NZ,								
C370L	B	11129 11574 11582 11605								
	D	11196 NZ, 20381 NZ, 12053								
C370R	B	11130 11364 11417 11437* 11551 11581 11606 11665* 11666								
	D	11197 NZ, 20380 NZ, 11925 11927* 11939* 11979 20137 20138								
C390TL	B	11544								
C390TR	B	11483 11484 11485 11546 11559 11569 11586								
Model	Series	Code	Single Temperature, Fan Circulated Air Model							
C373L	B	11583								
	D	12049 20168								
C373R	B	11584								
	D	11740* 12048 20149 20167								
C450L	B	11080 11607 11623								
	D	12307 12398 20166								
C450R	B	11222 11608 11624								
	D	12306 12397 20165								

Fisher & Paykel Customer Services
 PO Box 798
 19 Enterprise St
 Cleveland, Queensland 4163
 Australia
 Tel: (07) 3826 9122
 Fax: (07) 3826 9164
 Email: parts@fp.com.au
 A.C.N 003 335 171

Fisher & Paykel Appliance Ltd
 Appliance Spare Parts
 PO Box 14-148, Panmure.
 80 Springs Rd, East Tamaki
 New Zealand
 Tel: (09) 272 0261
 Fax: (09) 272 0219
 Email: parts@fp.co.nz

REFRIGERATION ABBREVIATION KEY

PC	PROVISION COMPARTMENT
FC	FREEZER COMPARTMENT
HCL	HUMIDITY CONTROL LID
HC	HUMIDITY COMPARTMENT
CZ	CHILL ZONE
HS	HOT STAMPED
X/RAIL	CROSS RAIL
BC	BUTTER CONDITIONER
BS	“B” SERIES CABINET
CH	CHARCOAL COLOUR
LT GY	LIGHT GREY COLOUR
MD GY	MID GREY COLOUR
DK GY	DARK GREY COLOUR
SATIN or SC	SATIN CHROME FINISH
S/STONE	SANDSTONE COLOUR
SS	STAINLESS STEEL
SL or SIL	SILVER
HAN P/C	HANDLE POWDER COATED
F&P	FISHER & PAYKEL
PUSHIN	PUSHIN TYPE GASKET
LH	LEFT HAND
RH	RIGHT HAND
LHT	LEFT HAND TOP
RHT	RIGHT HAND TOP
LHB	LEFT HAND BOTTOM
RHB	RIGHT HAND BOTTOM
SML	SMALL
DC	DIRECT CURRENT
10W	10 WATTS
12V	12 VOLTS
XH9	TYPE OF DESSICANT WITHIN A FILTER DRYER
M5	5 MILLIMETER

CONTENTS

REFRIGERATION ABBREVIATION KEY	4
DOOR ASSEMBLIES	6
CABINET SINGLE TEMPERATURE & HC MODEL.....	12
CABINET TOP FREEZER.....	14
HUMIDITY COMPARTMENT AND HC DRAWER.....	16
CONTROL BOX AND BUTTER CONDITIONER	18
EVAPORATOR PLATE & DEFROST HEATER	22
FAN AND EVAPORATOR ASSEMBLY	24
COMPRESSOR & CABINET REAR	26
NOTES.....	33

GUIDE TO USING THIS MANUAL

The model(s) and/or series covered by this manual are listed on the front cover.

The information detailed in this manual is subject to change without notice, the latest version is indicated by the reprint date and replaces any earlier editions.

The front cover picture shows the type of product and may not necessarily be an exact image of the models covered by the manual.

Part References

Where a Model is shown, the part is exclusive to the Model(s) stated. Common parts relating to a part reference are applicable to all other Model(s) which use the particular item.

Kit Parts

The components shown in *italics* are those parts in the kit which are available also as separate items. In addition, some parts may be supplied with this kit which are not available as separate items and are therefore not listed in this manual.

All details relating to Technical Bulletins or Notes are shown on a dedicated page. The Technical Bulletin Number shown relates to the bulletin version which is produced for the Global Service Centres.

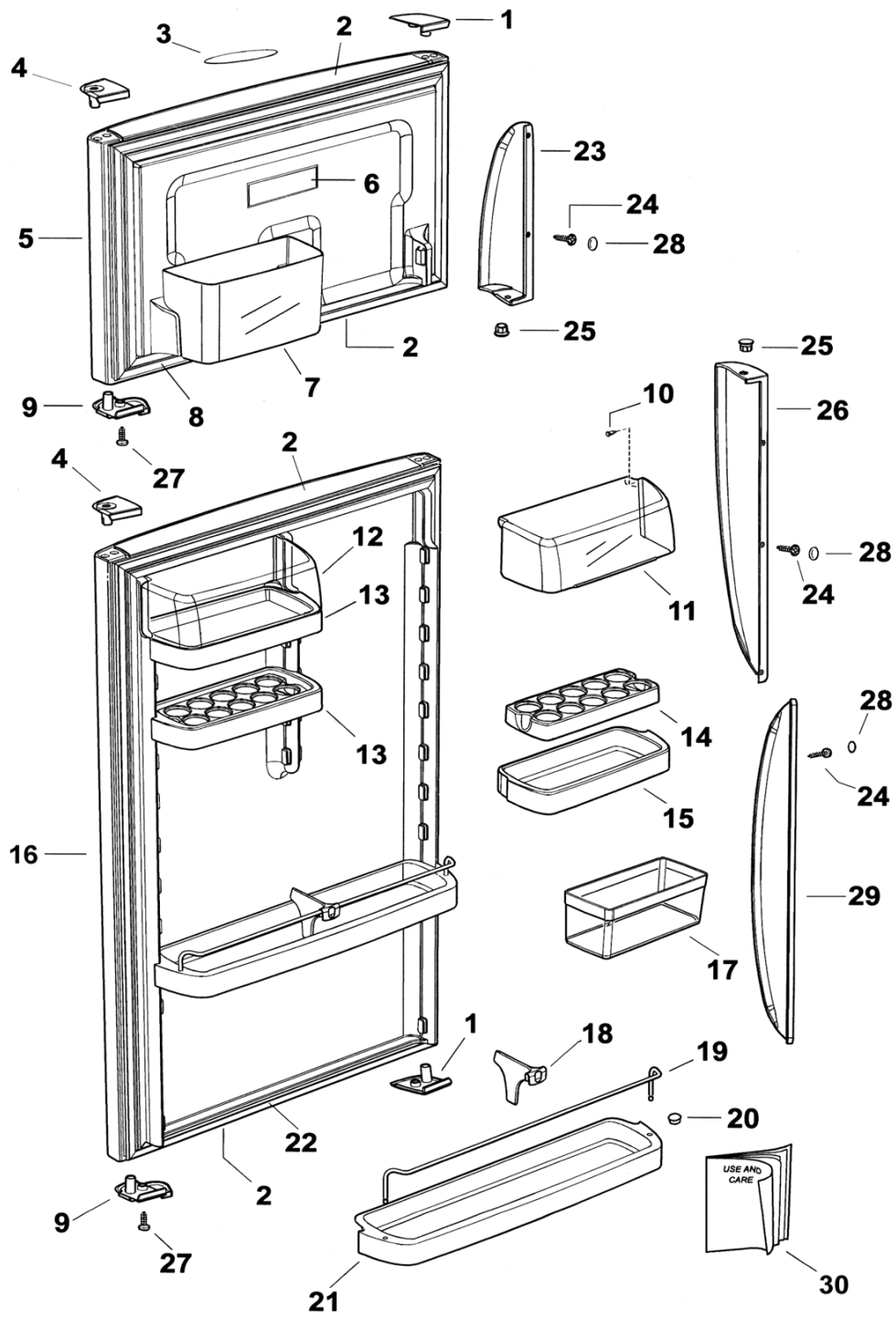
Parts List Key

NOT USED	As a part, indicates the diagram part reference is not used in this manual.
#	Beside the part number, indicates the part is no longer available.
<i>italics</i>	Kit components shown in <i>italics</i> are also available separately.
*	Indicates a technical bulletin or note exists for the part or part reference.
NI	As a part reference, indicates the part is not illustrated on the diagram.

DOOR ASSEMBLIES

REF	PART	DESCRIPTION	MODEL
1	883715	COVER HGE DR RHT/LHB WH LIP 635	
	883716	COVER HGE DR LHT/RHB WH LIP 635	
	883719	COVER HGE DR RHT/LHB SA LIP 635	
	883720	COVER HGE DR LHT/RHB SA LIP 635	
2	883670	CAP DOOR END OUTER WH 635	
	883673	CAP DOOR END OUTER SA 635	
3	883848	NAMEPLATE SHACK	
	883793	NAMEPLATE KELV EXPORT (replaces 881478)	
	883793	NAMEPLATE FRIG EXPORT (replaces 881479)	
	883793	NAMEPLATE F&P	
4	883658	BEARING HINGE RH WH LIP 635	
	883659	BEARING HINGE LH WH LIP 635	
	883662	BEARING HINGE RH SA LIP 635	
	883663	BEARING HINGE LH SA LIP 635	
5	* 311024P	DOOR FC WH635X 443 BS 'T'	
	874706	LABEL FREEZER GUIDE RF BLUE	
	883670	CAP DOOR END OUTER WH 635	
	883315	MAGNET DOOR SW 20X25X5MM	
	* 312028P	DOOR FC SA635X 443 BS	
	874706	LABEL FREEZER GUIDE RF BLUE	
	883673	CAP DOOR END OUTER SA 635	
	883315	MAGNET DOOR SW 20X25X5MM	
6	874706	LABEL FREEZER GUIDE RF BLUE	
7	876507	BIN DOOR FC 'T' 635	
8	883058P	GASKET FC/HC LTGY PUSHIN 635X 416	
9	881453	BEARING DR CLOSING RH WH 635	
	881454	BEARING DR CLOSING LH WH 635	
	881457	BEARING DR CLOSING RH SA 635	
	881458	BEARING DR CLOSING LH SA 635	
10	871123P	PLUG/PIN HINGE DAIRY COVER (PKT 2)	
11/12	315017	KIT COVER DOOR SHELF 635	
	876503	COVER DOOR SHELF CLEAR LH	
	876504	COVER DOOR SHELF CLEAR RH	
13	874973	SHELF DOOR SML LH 635 WHITE	
14	876719	SHELF EGG RACK 635	
15	874974	SHELF DOOR SML RH 635 WHITE	

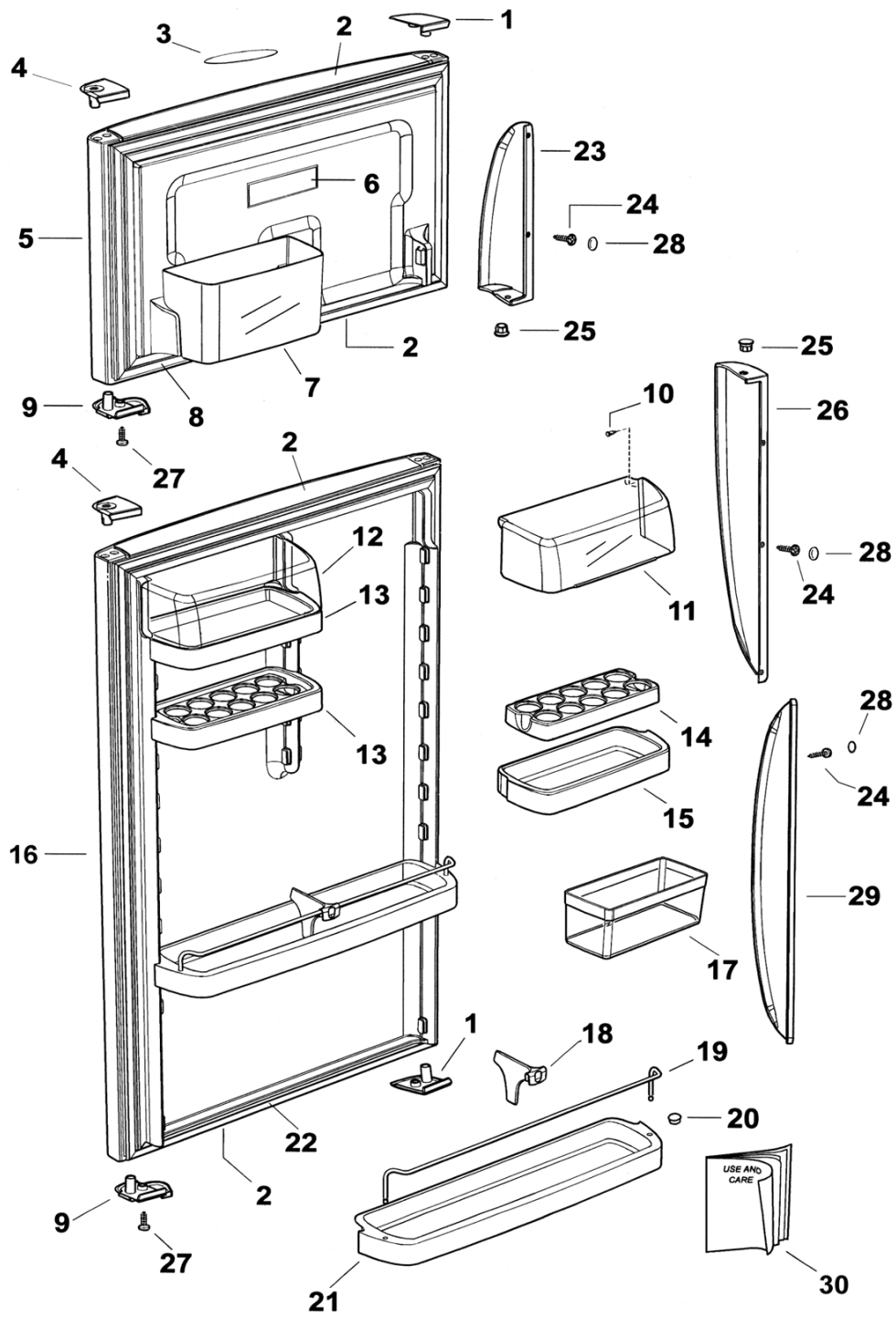
DOOR ASSEMBLIES



DOOR ASSEMBLIES

REF	PART	DESCRIPTION	MODEL
16	311016P	DOOR PC WH 635X930T BS E331T	C335TL/R
	883670	CAP DOOR END OUTER WH 635	
	883315	MAGNET DOOR SW 20X25X5MM	
	312020P	DOOR PC SA 635X930 T BS E331T	C335TL/R
	883673	CAP DOOR END OUTER SA 635	
	883315	MAGNET DOOR SW 20X25X5MM	
	315030P	DOOR PC WH 635X930 H BS C365H	C365HL/R
	883670	CAP DOOR END OUTER WH 635	
	315031P	DOOR PC SA 635X930 H BS C365H	C365HL/R
	883673	CAP DOOR END OUTER SA 635	
	311015P	DOOR PC WH 635X1381 BS C370	C370L/R, C373L/R
	883670	CAP DOOR END OUTER WH 635	
	312019P	DOOR PC SA 635X1381 BS C370	C370L/R
	883673	CAP DOOR END OUTER SA 635	
	311018P	DOOR PC WH635X1100 BS E381T	C390TL/R
	883670	CAP DOOR END OUTER WH 635	
	883315	MAGNET DOOR SW 20X25X5MM	
	312022P	DOOR PC SA 635X1100 BS E381T	C390TL/R
	883673	CAP DOOR END OUTER SA 635	
	883315	MAGNET DOOR SW 20X25X5MM	
	311022P	DOOR PC WH635X1651 BS C450	C450L/R
	883670	CAP DOOR END OUTER WH 635	
17	871129	BIN EGG/ICE MOULD	
18	883121	DIVIDER BOTTLE RAIL WHITE	
	883122	DIVIDER B/RAIL WH HSM883121 BL	
19	882651	RAIL BOTTLE SUPPORT 635	
20	876281	PLUG DOOR SHELF WHITE	
21	883941	SHELF DOOR LGE 635 WHITE MOULD	
22	883062P	GASKET PC LTGY PUSHIN 635X 903	C335T, C365H
	883066P	GASKET PC LTGY PUSHIN 635X1354	C370
	883153P	GASKET PC LTGY PUSHIN 635X1352	C373
	883064P	GASKET PC LTGY PUSHIN 635X1075	C390T
	883154P	GASKET PC LTGY PUSHIN 612X1613	C450
23	883095	HANDLE DR SMALL LHT/RHB WHITE	
	883097	HANDLE DR SMALL RHT/LHB WHITE	
	883101	HANDLE DR SMALL LHB RHT SILVER	
	883102	HANDLE DR SMALL LHT RHB SILVER	

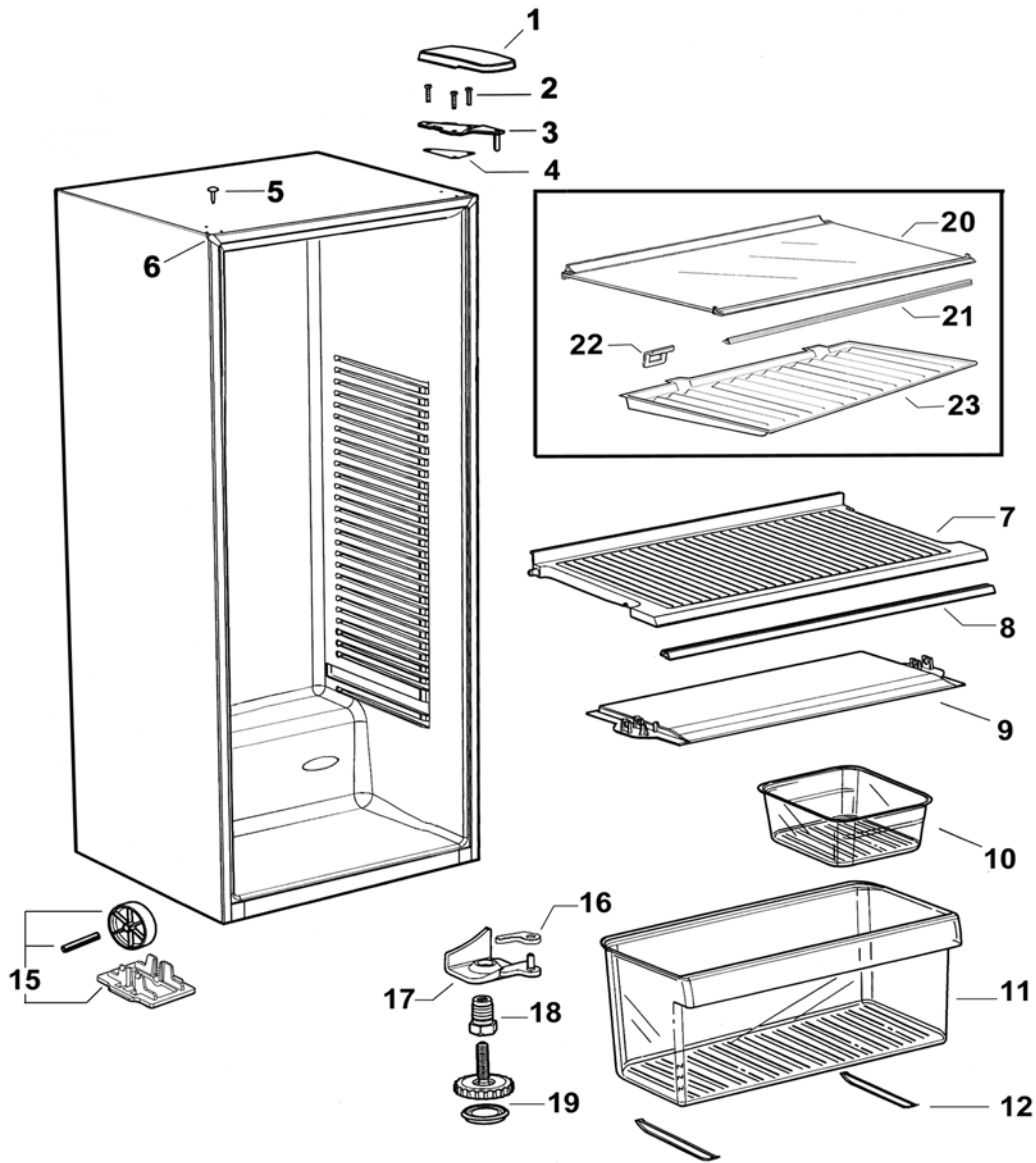
DOOR ASSEMBLIES



DOOR ASSEMBLIES

REF	PART	DESCRIPTION	MODEL
24	880654	SCREW M4X10 TRUSS PH SS	
	SP0008P	SCREW 6X12 AB TRUSS PH ST ZP (PKT 10)	
25	880581	PLUG HANDLE WHITE	
	881010	PLUG HANDLE SANDSTONE	
26	883096	HANDLE DR LARGE LHT/RHB WHITE	
	883098	HANDLE DR LARGE LHB/RHT WHITE	
	883099	HANDLE DR LARGE LHT RHB SILVER	
	883100	HANDLE DR LARGE LHB RHT SILVER	
27	881044P	SCREW 8X22 WAFER PHIL STZP (PKT 10)	
28	881075	CAP HANDLE SCREW WHITE	
	881398	CAP HANDLE SCREW SILVER	
29	881039	HANDLE DOOR SINGLE MOULD WHITE	
	881090	HANDLE DOOR SINGLE SILVER	
30	884350	BOOKLET USE & CARE COMBINED (Replaces 884048)	
	878428	LEAFLET WARRANTY EXPORT	
	479314	CARD WARRANTY REGISTRATION ALL PRODUCTS	

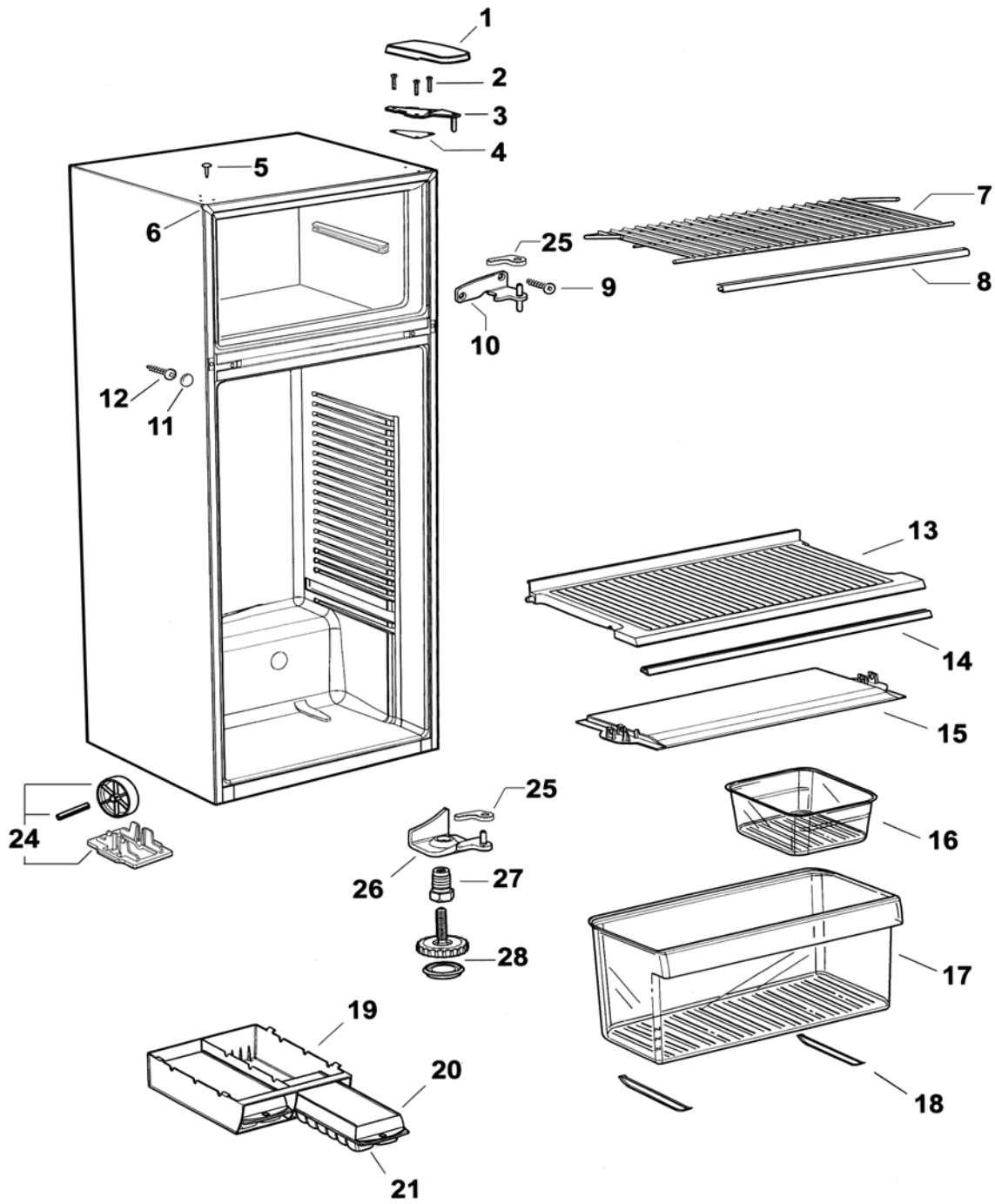
CABINET SINGLE TEMPERATURE & HC MODEL



CABINET SINGLE TEMPERATURE & HC MODEL

REF	PART	DESCRIPTION	MODEL
1	880490	COVER TOP HINGE WHITE	
	880681	COVER TOP HINGE SANDSTONE	
2	610312	SCREW MC M5X20 HEX PH MS ZNPL	
3	880526	BRACKET TOP HINGE	
4	882355	GASKET TOP HINGE	
5	881131P	PLUG TAPPED HOLE WHITE (PKT 3)	
	881132	PLUG TAPPED HOLE SANDSTONE	
6	871504	TRIM CORNER WHITE	
	883590	TRIM CORNER RECESSED WHITE	
	871503	TRIM CORNER SANDSTONE	
	883592	TRIM CORNER RECESSED SANDSTONE	
7	* 877222	SHELF PC STIFFENER ASSY 635	
	871960	<i>SHELF BARE 560 X 340</i>	
	876682	<i>EXTRUSION PC SHELF 635 STIFFEN</i>	
	* 881166	SHELF PC STIFFENER ASSY 635	
	876682	<i>EXTRUSION PC SHELF 635 STIFFEN</i>	
	881165	<i>SHELF BARE 560 X 340</i>	
8	876682	EXTRUSION PC SHELF 635 STIFFEN	
9	882753	LID HUMIDITY CONTROL 635 T MOD	
10	876538	TRAY CRISPER 635/680 T MODEL	
11	876537	BIN CRISPER 635/680 T	
12	875287	FOOT CRISPER RUNNER B MODEL	
15	315090P	KIT WHEEL BRACKET CLIP	
	871017	<i>PIN ROLLER PLATED</i>	
	880545	<i>ROLLER FOOT FRONT</i>	
	881480	<i>CLIP WHEEL BRACKET</i>	
16	883988	CAP DOOR CLOSING GREY RH HGE BRKT	
	883989	CAP DOOR CLOSING GREY LH HGE BRKT	
17	881274	BRACKET BTM HINGE RH PLATED	
	881277	BRKT BTM HINGE LH ASSY PLATED	
18	880959	BOLT BTM HINGE BRKT	
19	880512	FOOT LEVELLING ASSEMBLY	
	880519	<i>BASE LEVELLING FOOT</i>	
20	882205	SHELF GLASS PC WH ASSY 635	
	881261	<i>PLUG REAR EXTRUSION RH</i>	
	881262	<i>PLUG REAR EXTRUSION LH</i>	
	881263	<i>PLUG FRONT EXTRUSION RH 635</i>	
	881264	<i>PLUG FRONT EXTRUSION LH 635</i>	
	882206	<i>EXTRUSN FRT GLASS SHELF WH 635</i>	
	882207	<i>EXTRUSN REAR GLAS SHELF WH 635</i>	
	883290	<i>SHELF SAFETY GLASS PC 635</i>	
21	881265	EXTRUSION HCL SUPPORT 635/680	
22	881269	BRACKET HCL SUPPORT T GL SH	
23	881300	LID HCL T 635/680 GLASS SHELF	

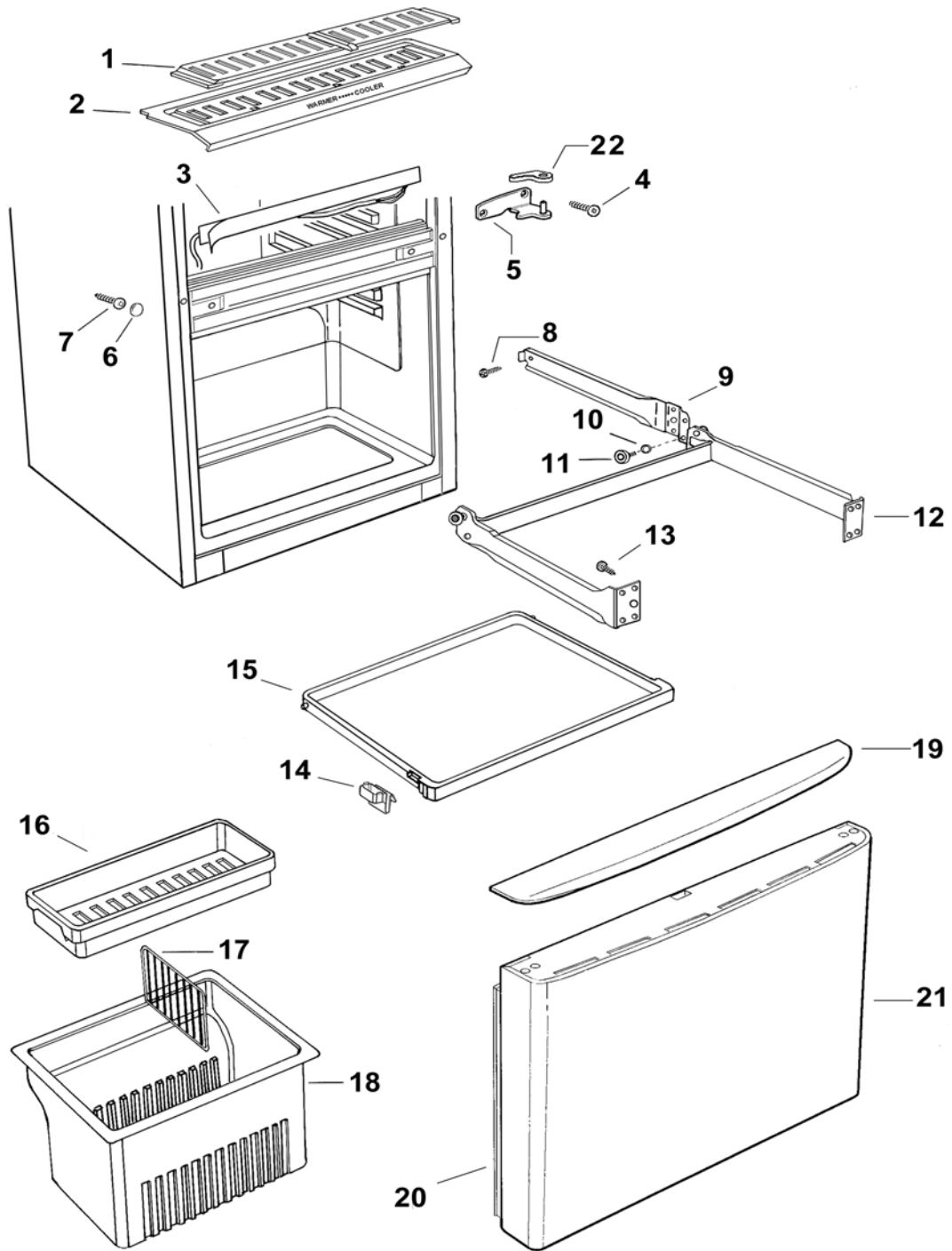
CABINET TOP FREEZER



CABINET TOP FREEZER

REF	PART	DESCRIPTION	MODEL
1	880490	COVER TOP HINGE WHITE	
	880681	COVER TOP HINGE SANDSTONE	
2	610312	SCREW MC M5X20 HEX PH MS ZNPL	
3	880526	BRACKET TOP HINGE ASSY	
4	882355	GASKET TOP HINGE	
5	881131P	PLUG TAPPED HOLE WHITE (PKT 3)	
	881132	PLUG TAPPED HOLE SANDSTONE	
6	871504	TRIM CORNER WHITE	
	883590	TRIM CORNER RECESSED WHITE	
	871503	TRIM CORNER SANDSTONE	
	883592	TRIM CORNER RECESSED SANDSTONE	
7	877925	SHELF FC WHITE 635 T 526X263	
8	880583	TRIM SHELF FC 635 T 528MM	
9	880656P	SCREW 10GX25CSK SQ SS (PKT 10)	
10	881283	BRACKET CTR HINGE RH	
	881286	BRACKET CTR HINGE LH	
11	880595	CAP SCREW CROSS RAIL WHITE	
12	880655P	SCREW 10X19 AB 2 SQ ZN NP (PKT 10)	
13	* 877222	SHELF PC STIFFENER ASSY 635	
	871960	SHELF BARE 560 X 340	
	876682	EXTRUSION PC SHELF 635 STIFFEN	
	* 881166	SHELF PC STIFFENER ASSY 635	
	876682	EXTRUSION PC SHELF 635 STIFFEN	
	881165	SHELF BARE 560 X 340	
14	876682	EXTRUSION PC SHELF 635 STIFFEN	
15	882753	LID HUMIDITY CONTROL 635 T MODL	
16	876538	TRAY CRISPER 635/680 T MODEL	
17	876537	BIN CRISPER HS BLUE 635/680 T MODL	
18	875287	FOOT CRISPER RUNNER B MODEL	
19	872963	TRAY ICE HOLDER	
20	874108	TRAY ICE LID	
21	874107	TRAY ICE BASE	
24	315090P	KIT WHEEL BRACKET CLIP	
	871017	PIN ROLLER PLATED	
	880545	ROLLER FOOT FRONT	
	881480	CLIP WHEEL BRACKET	
25	883988	CAP DOOR CLOSING GREY RH HGE BRKT	
	883989	CAP DOOR CLOSING GREY LH HGE BRKT	
26	881274	BRACKET BOTTOM HINGE RH	
	881277	BRACKET BOTTOM HINGE LH	
27	880959	BOLT BOTTOM HINGE BRACKET	
28	880512	FOOT LEVELLING ASSEMBLY	
	880519	BASE LEVELLING FOOT	

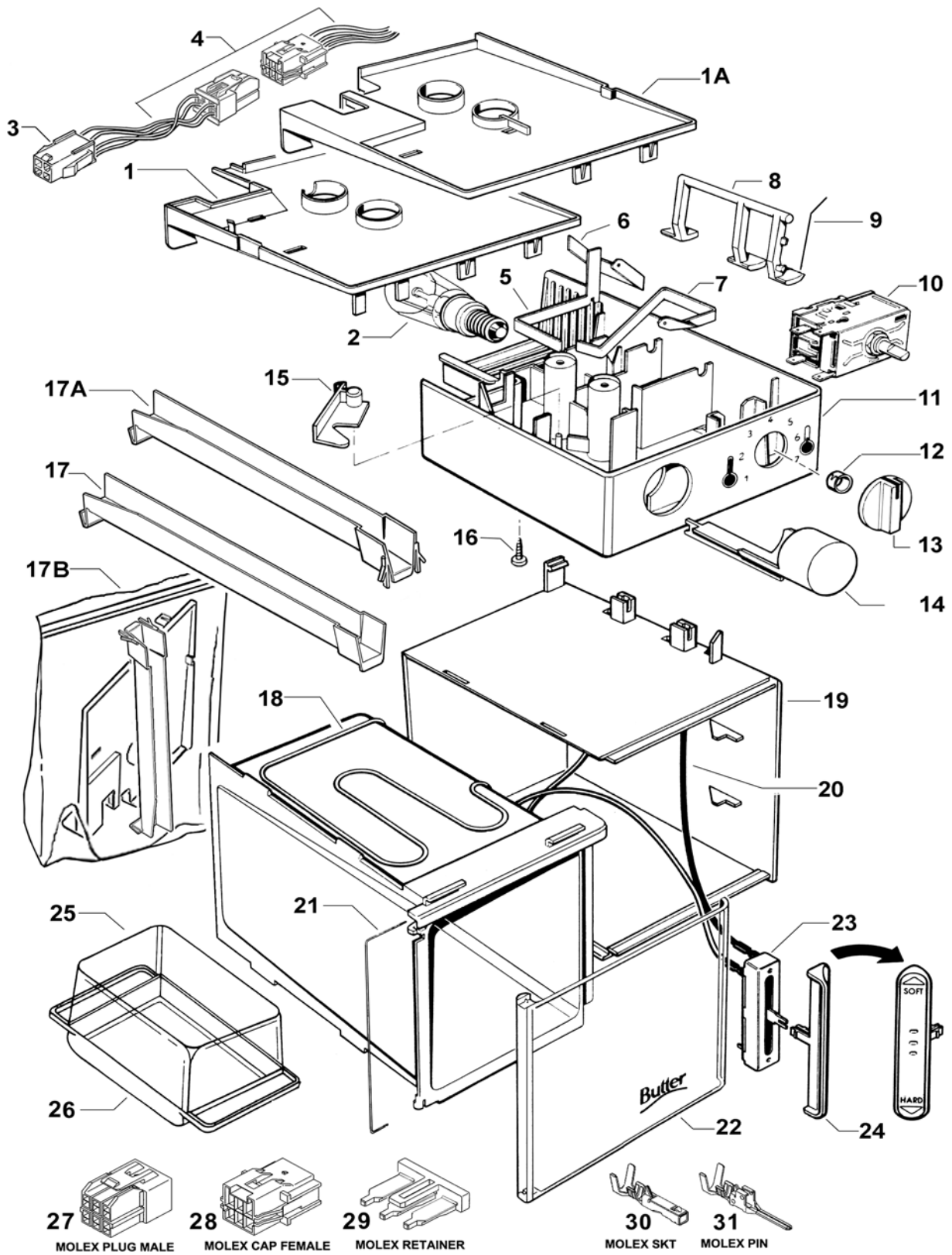
HUMIDITY COMPARTMENT AND HC DRAWER



HUMIDITY COMPARTMENT AND HC DRAWER

REF	PART	DESCRIPTION	MODEL
1	873501	CONTROL SLIDE HC WHITE	
2	880253	COVER HUMIDITY HS BLUE 635	
3	882284	HEATER X-RAIL HC 230V ST4	
4	880656P	SCREW 10GX25CSK SQ SS (PKT 10)	
5	881288	BRACKET H-RAIL HINGE RH	
	881290	BRACKET H-RAIL HINGE LH	
6	880595	CAP SCREW CROSS RAIL WHITE	
7	880655P	SCREW 10X19 AB 2 SQ ZN NP (PKT 10)	
8	SP0201P	SCREW 8X12 PAN PH NIB (PKT 10)	
9	877643	RAIL GUIDE ASSY WHITE LH	
	877644	RAIL GUIDE ASSY WHITE RH	
10	873510	WASHER HINGE BEARING 4.8MM WH	
11	883867	BEARING WHEEL & STUD ASSY	
12	871986	RAIL FRAME ASSY HC WHITE	
13	900792P	SCREW 10.32X17MM RSC CSK TY 2 (PKT 10)	
14	880449	RUNNER SUPPORT TRAY DIVIDER HC	
15	875114	TRAY DIVIDER PC 635 WHITE	
16	874965	TRAY HC WHITE	
17	871654	PARTITION PLASTICISED HC	
18	871233	BIN CRISPER HC	
19	881040	HANDLE DOOR WHITE HC	
	883876	HANDLE DOOR SILVER HC MOULDED (replaces 880765 PAINTED)	
20	883058P	GASKET HC LTGY PUSHIN 635X 416	
21	311028P	DOOR HC WH 635X443 BS C365H	
	<i>883670</i>	<i>CAP DOOR END OUTER WH 635</i>	
	312032P	DOOR HC SA 635X443 BS C365H	
	<i>883673</i>	<i>CAP DOOR END OUTER SA 635</i>	
22	883988	CAP DOOR CLOSING GREY RH HGE BRKT	
	883989	CAP DOOR CLOSING GREY LH HGE BRKT	

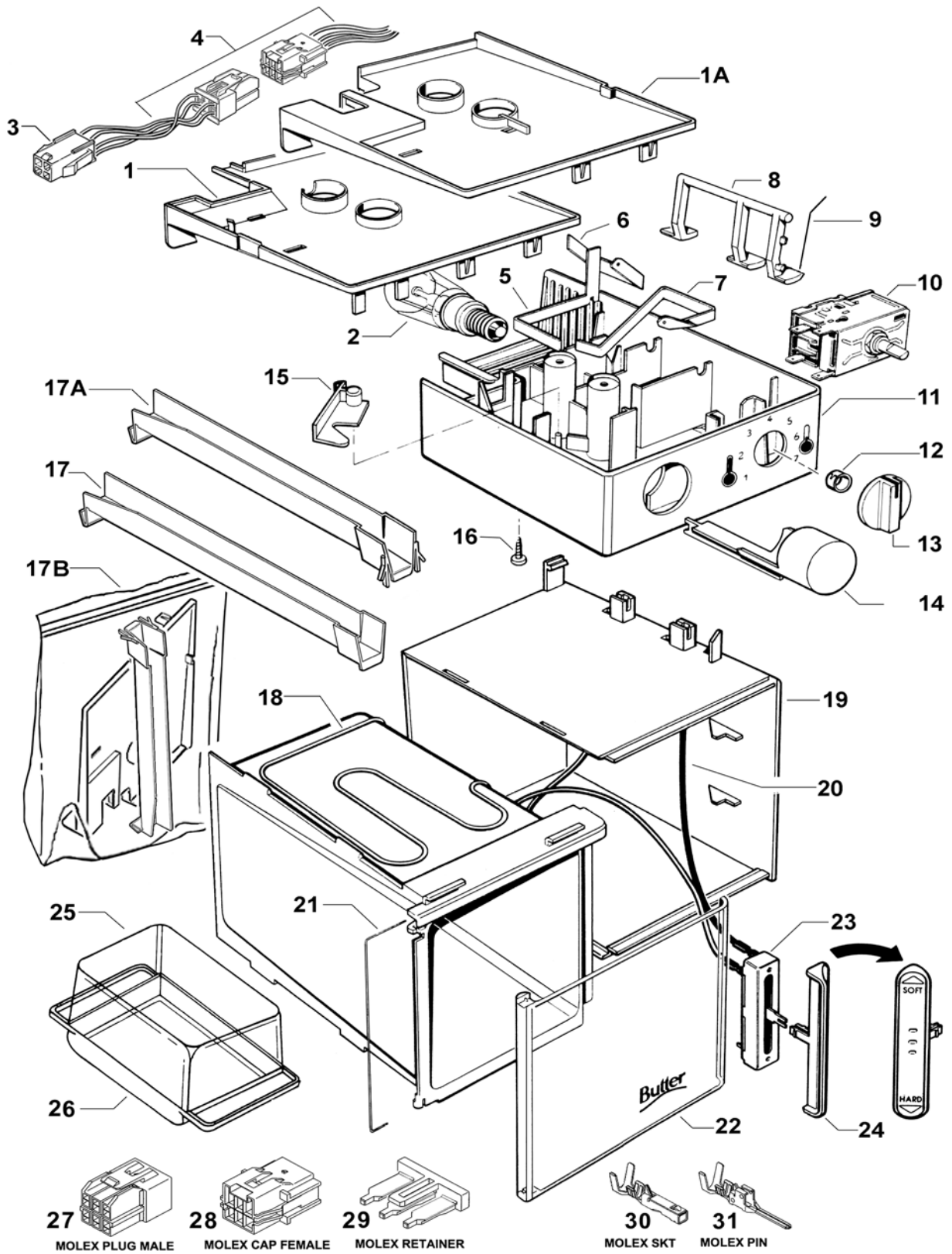
CONTROL BOX AND BUTTER CONDITIONER



CONTROL BOX AND BUTTER CONDITIONER

REF	PART	DESCRIPTION	MODEL
1	877729	COVER CONTROL BOX TOP (USE 855412P KIT)	# SU T/Bulletin RF043
1A	855382	COVER CONTROL BOX TOP (MODIFIED)	Standards Update
2	871312P	LAMP 230V 15W SES	
3	884155	CAP 4 WAY MML AMP 172159-1	
4	855374P	HARNESS CONTROL BOX FF KIT	# SU T/Bulletin RF043
	855403	<i>HARNESS ADAPTOR CONTROL</i>	
NI	884156	PLUG 4 WAY MML AMP 172167-1	
NI	872957	AMP SOCKET 16-20AWG 171639-1	
NI	878545	AMP PIN 16-20AWG 171680-1	
5	871032	TERMINAL SPRING CONT. BOX 635	
6	871302	TERMINAL NEUTRAL CONTROL BOX	
7	872470	TERMINAL PHASE CONTROL BOX	
8	874892	DOOR CONTROL BOX 635	
9	871040	SPRING CONTROL BOX DOOR	
10	883707P	CONTROL DANFOSS 077B6129 NZ, Aust, Pacific, Asia, Phillipines	C365H, C370
	883713P	CONTROL DANFOSS 077B1065	C373, C450
	883710P	CONTROL DANFOSS 077B6611 Aust, Pacific, French Territories	C335T, C390T
11	855381	CONTROL BOX BASE HS BLUE	
12	874794	CLIP CONTROL ASSY KNOB	
13	876626	KNOB CONTROL ASSY WHITE/DK GREY	
	873459	<i>KNOB CONTROL WHITE</i>	
	874794	<i>CLIP CONTROL ASSY KNOB</i>	
	876491	<i>TRIM KNOB DK GREY</i>	
14	876747	KNOB LIGHT SWITCH WHITE 635	
15	876995	CAM CONTROL BOX	
16	SP0055	SCREW #8X20 AB PAN PHIL SS	
17	876744	DUCT HARNESS CONTROL BOX (USE 855412P KIT)	
17A	855383	DUCT HARNESS CONTROL BOX (MODIFIED)	Standards Update
17B	* 855412P	COVER CONTL BOX & HARNESS DUCT KIT	Standards Update
	855382	<i>COVER CONTROL BOX TOP (MODIFIED)</i>	SU T/Bulletin RF043
	855383	<i>DUCT HARNESS CONTROL BOX (MODIFIED)</i>	
18	877650	HEATER BUTTER CONDITIONER 7.0W	
19	877725	PACK BUTTER COMPT (1X877724 IN	
	871083	<i>SPRING DOOR BUTTER COMP.</i>	
	871125	<i>COVER BUTTER TRAY ALL BRANDS</i>	
	871896	<i>LINER BUTTER COMPARTMENT HS</i>	
	877293	<i>COVER BUTTER COMPARTMENT</i>	
	877650	<i>HEATER BUTTER CONDITIONER 7.0W</i>	
	877720	<i>HARNESS BUTTER CONDITIONER PHA</i>	
	877723	<i>KNOB CONTROL BC PRINTED LOCAL</i>	
	878260	<i>CONTROL SLIDE POTENTIOMETER 15</i>	
	880267	<i>TRAY BUTTER SHELF WHITE</i>	
	880580	<i>DOOR BUTTER COMPARTMENT BLUE</i>	

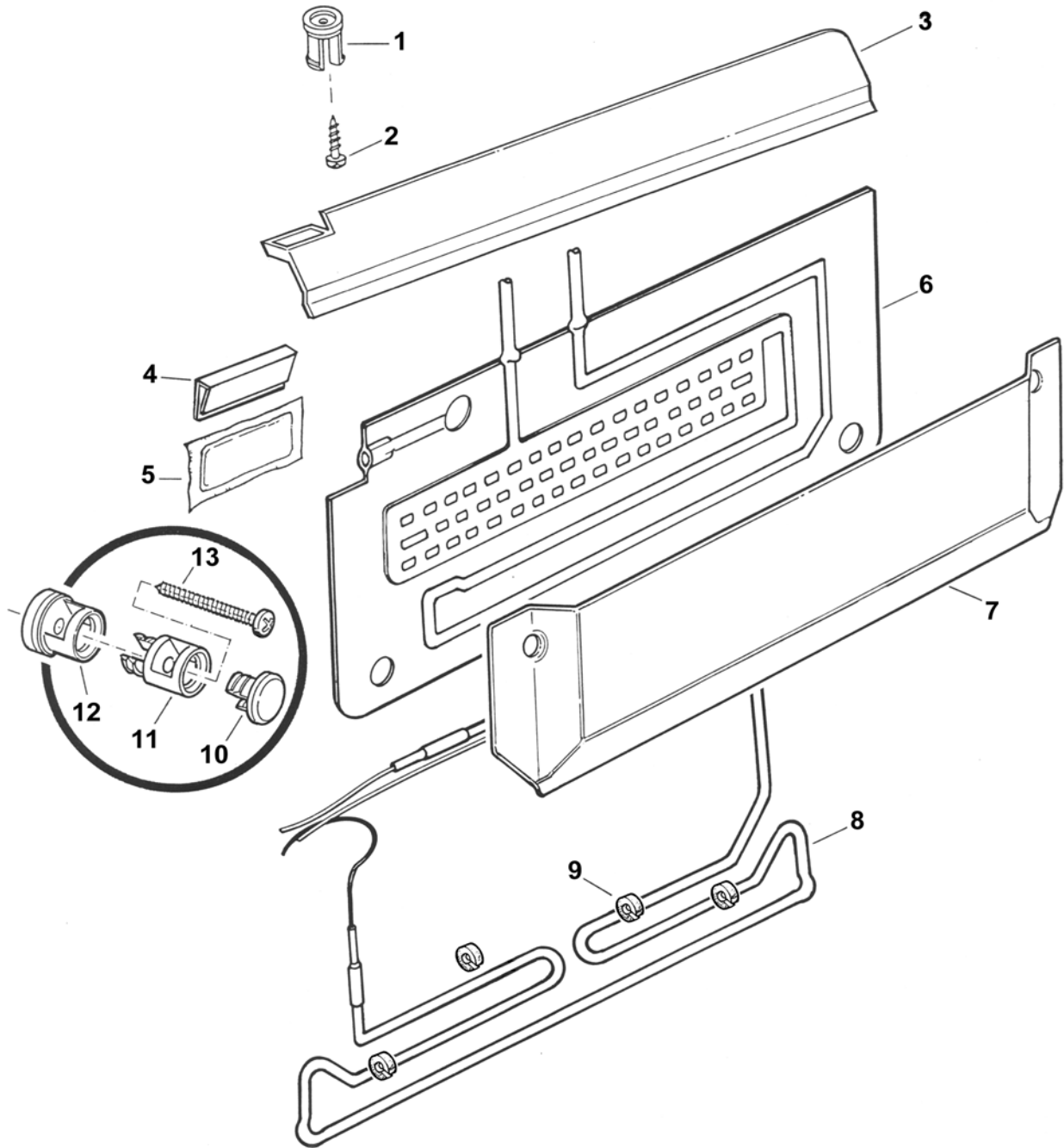
CONTROL BOX AND BUTTER CONDITIONER



CONTROL BOX AND BUTTER CONDITIONER

REF	PART	DESCRIPTION	MODEL
20	877720	HARNESS BUTTER CONDITIONER PHASE	
21	871083	SPRING DOOR BUTTER COMP.	
22	872611	DOOR BUTTER COMPARTMENT	
23	878260	CONTROL SLIDE POTENTIOMETER 15	
24	877723	KNOB CONTROL BC PRINTED LOCAL	
25	871125	COVER BUTTER TRAY	
26	880267	TRAY BUTTER SHELF WHITE	
# MOLEX CONNECTOR COMPONENTS			
27	855410	PLUG MALE 51138-0600 MLX	# SU T/Bulletin RF043
28	855409	CAP FEMALE 51139-0600 MLX	Standards Update
29	855411	RETAINER 51140-0305 MLX	Standards Update
30	881595	SOCKET 16-22AWG 50597-8100 MLX	
31	881597	PIN 16-22AWG 50599-8100 MLX	

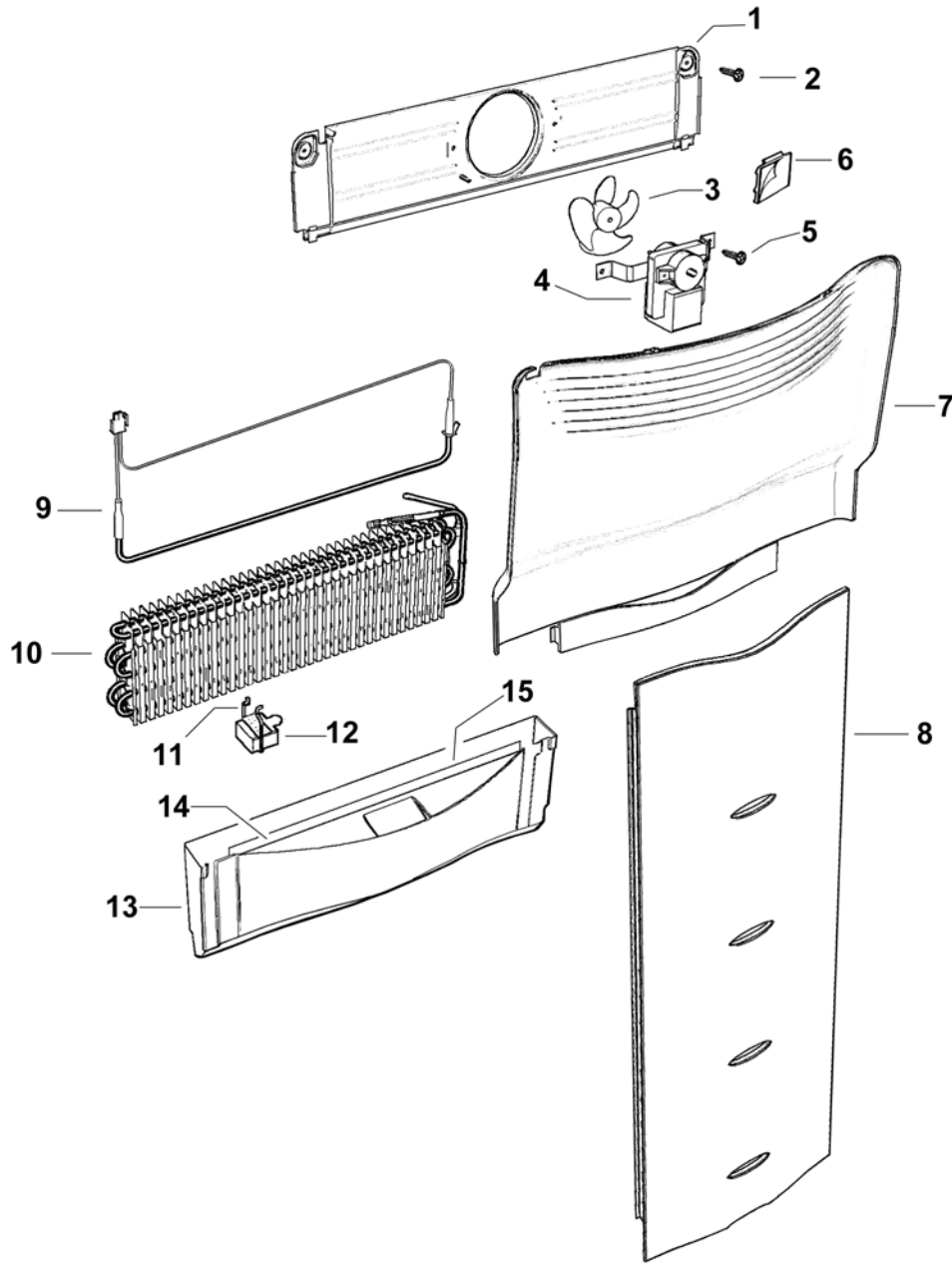
EVAPORATOR PLATE & DEFROST HEATER



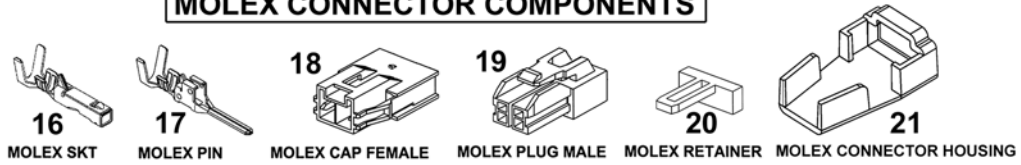
EVAPORATOR PLATE & DEFROST HEATER

REF	PART	DESCRIPTION	MODEL
1	874461	CLIP COVER EVAP	
2	SP0055P	SCREW 8X20 AB PAN PHIL SS (PKT 10)	
3	874830	COVER EVAPORATOR PLATE	
4	874497	CLIP SACHET THERMAL MASS	
5	873178	SACHET THERMAL MASS	
6	874343	EVAP PLATE ASSY C370,C365H	
	874340	EVAP PLATE C380B,410,369,335T	C335T
	874341	EVAP PLATE ASSY C390T,N375T	C390T
7	878474	DEFLECTOR AIR FLOW 635T	
8	874455	HEATER DEFROST 230V C370	C370,C365H
	874452	HEATER DEFROST 230V C380B	C335T
	874453	HEATER DEFROST 230V C390T	C390T
9	871059	SPACER DEFROST HEATER	
10	874401	CLIP EVAP PLATE	
11	878482	CLIP EXTENSION	
12	874400	CLIP EVAP LINER	
13	901376P	SCREW 8X45 PSNPAN PHIL SS	

FAN AND EVAPORATOR ASSEMBLY



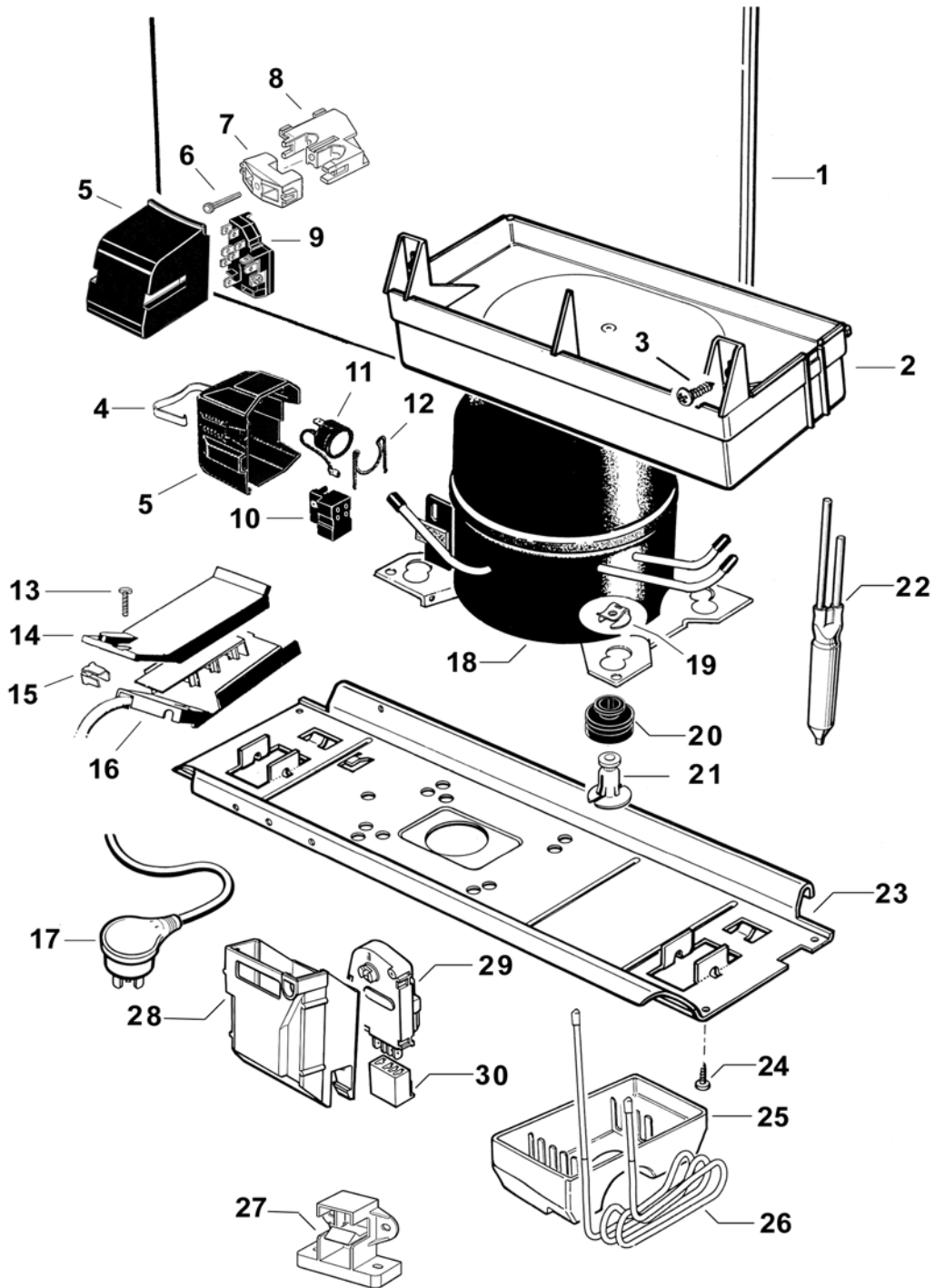
MOLEX CONNECTOR COMPONENTS



FAN AND EVAPORATOR ASSEMBLY

REF	PART	DESCRIPTION	MODEL
1	877983	COVER EVAP INNER	
2	SP0055P	SCREW 8X20 AB PAN PHIL SS (PKT 10)	
3	855094	FAN BLADE 90MM DIA	
4	873115	MOTOR FAN & BRKT ASSY JRM 230V	
5	900496	SCREW 10X32X12 TYPE1 PAN PH S	
6	900236	CLIP CABLE FASTEX	
7	880277	COVER EVAP REAR	
8	880276	COVER DUCT PC	
9	* 855390P	HEATER DEFROST KIT FF C373/C450 240V	
	855305	<i>HARNESS ADAPTOR DEFROST HEATER</i>	
10	320526P	EVAPORATOR FIELD FIX C373/C450 240V	
	855185	<i>HARNESS EARTH</i>	
	880398	<i>CLIP EVAPORATOR SS</i>	
	880768	<i>HEATER DRAIN WIRE</i>	
	883633	<i>HEATER DEFROST C373/C450 240V</i>	
11	880617	CLIP RETAINING THERMOSTAT	
12	855376P	HARNESS THERMOSTAT PC FF KIT	
	855376	<i>HARNESS THERMOSTAT PC</i>	
	883143	<i>SPLICE DURASEAL D406-00 (x5)</i>	
	884222	<i>INSTRUCTION SHEET SERV DF TERM THERMOSTAT</i>	
13	877982	DEFLECTOR EVAP AIR & WATER	
14	877985	INSULATION EVAPORATOR SPACER	
15	880327	SHIELD HEAT INSULATION	
16	881595	SOCKET 16-22AWG 50597-8100 MLX	
17	881597	PIN 16-22AWG 50599-8100 MLX	
18	881592	CAP FEMALE 51139-0200 MLX	
19	881593	PLUG MALE 51138-0200 MLX	
20	881594	RETAINER 51140-0205 MLX	
21	855384	HOUSING CONNECTOR MLX	

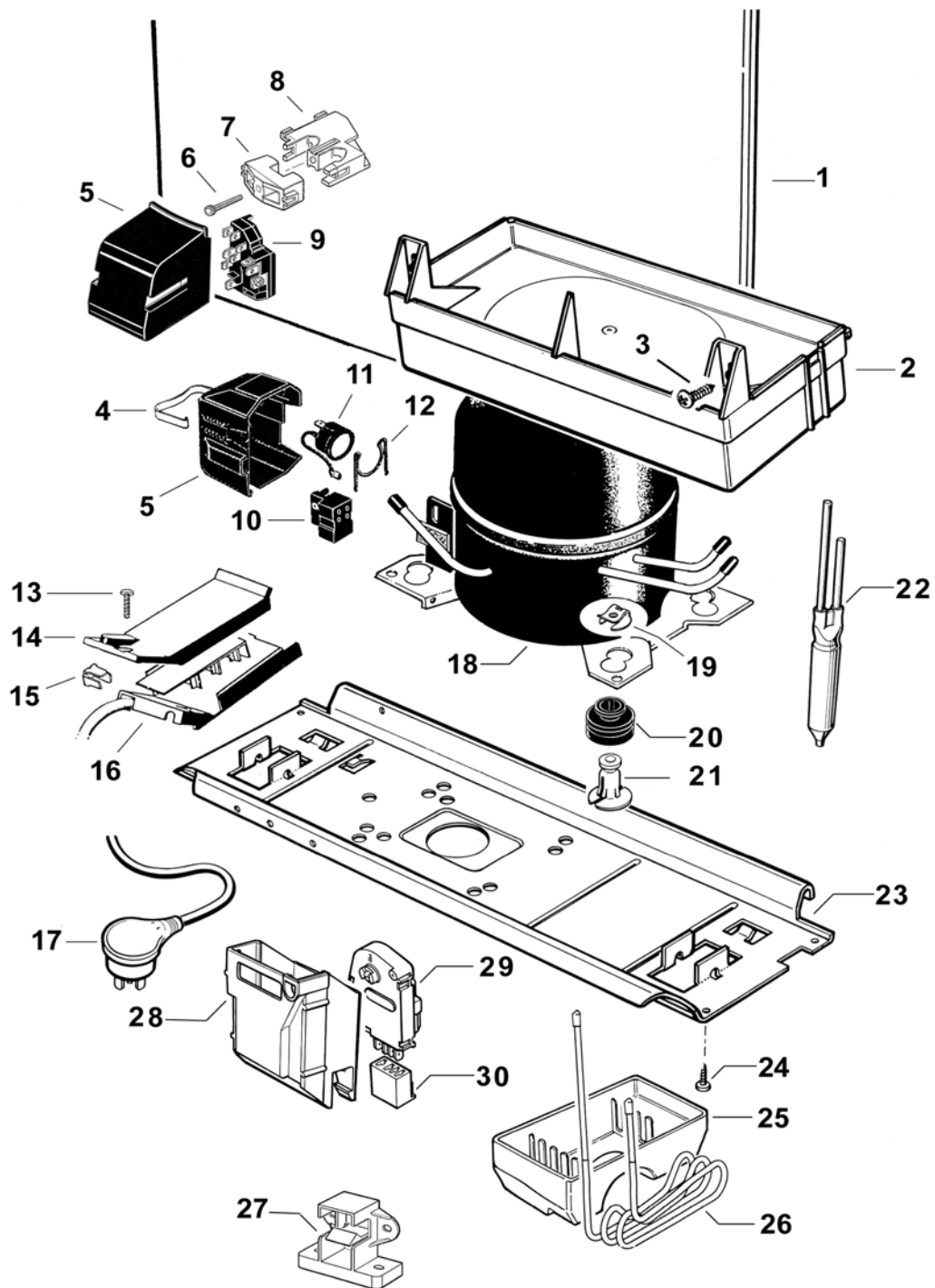
COMPRESSOR & CABINET REAR



COMPRESSOR & CABINET REAR

REF	PART	DESCRIPTION	MODEL
1	874879	PANEL BACK & COND ASSY C370, C335T	C335T, C365H, C370
	874880	PANEL BACK & COND ASSY N375T, C380B	C390T
	881204	BACK PANEL & CONDENSER ASSY	C373
	881203	BACK PANEL & CONDENSER ASSY	C450
2	876653	TRAY WATER EVAPORATOR NOTCHED	
	880884	TRAY WATER EVAPORATOR TOP HAT	C370
3	SP0201P	SCREW 8X12 PAN PH NIB (PKT 10)	
4	209673	CLIP COVER 01-245233	
5	209078	COVER PROTECTOR 01-899532	
	* 209863	COVER PROTECTOR 01-8983840	
	209995	PROTECTOR COVER EMBRACO	
6	871141P	SCREW 8X25 SP PAN NIB PH STZP (PKT 10)	
7	883810	CLAMP CORD	
NI	* 320528	KIT CORD CLAMP	
		<i>207107 CLAMP B 51-326470 GREY</i>	
		<i>883810 CLAMP CORD</i>	
		<i>871141 SCREW 8X25 SP PAN NIB PH STZP</i>	
8	207107	CLAMP B 51-326470 GREY	
9	209844	RELAY PTC MM85CDT33M D SERIES	
	* 209862	RELAY S-PTC MM8-711B	
10	209988	RELAY PTC MM8-5DDT33M D SERIES	
	209993	RELAY PTC EMBRACO 8EA 503	
11	209890P	O/LOAD COMPR 189NFBYY FGS70	
12	209674	CLIP O/LOAD 01-246801	
13	SP0006P	SCREW 8X20 AB PAN PHIL ST ZP (PKT10)	
14	883844	LID TERMINAL BLOCK	
15	874338	TERMINAL 3WAY	
16	875116	BASE TERMINAL BLOCK	
17	884334 Insulated pin	CORD POWER 220-240V (Direct Wiring terminated)	C365H, C370, C450 (02) (12) (20)
	884335	CORD POWER SUPPLY 230V 3 PIN (Insulated pins)	C335T, C390, C365H, C370, C450 (02) (12) (20)
	873356	CORD POWER SUPPLY 230V FUSED	C370 (18)
	855279	CORD POWER SUPPLY 230V FUSED 525	C370 (18) CA 20138
	883451	CORD POWER SUPPLY PHILIPPINES C373/C450	C373, C450 (05)
	<i>877642</i>	<i>LABEL WARNING 220V ONLY</i>	(For Market Codes, Refer
	<i>883450</i>	<i>CABLE SUPPLY JAPAN C373/C450</i>	Page 31)
18	209490P	COMPR MAT DB66C12R 220-240V 50Hz	C335T, C370
	<i>Includes 209078</i>	<i>COVER PROTECTOR 01-899532</i>	(02) (08) (09) (12)
	<i>209080</i>	<i>O/LOAD MM3-19ECF</i>	
	<i>209673</i>	<i>CLIP COVER 01-245233</i>	
	<i>209674</i>	<i>CLIP O/LOAD 01-246801</i>	
	<i>209988</i>	<i>RELAY PTC D SERIES MM8-5DDT33M</i>	
	<i>502173</i>	<i>FILTER DRIER 12 GR DUAL BRAZED</i>	
	<i>872838</i>	<i>GROMMET COMPRESSOR MOUNTING</i>	

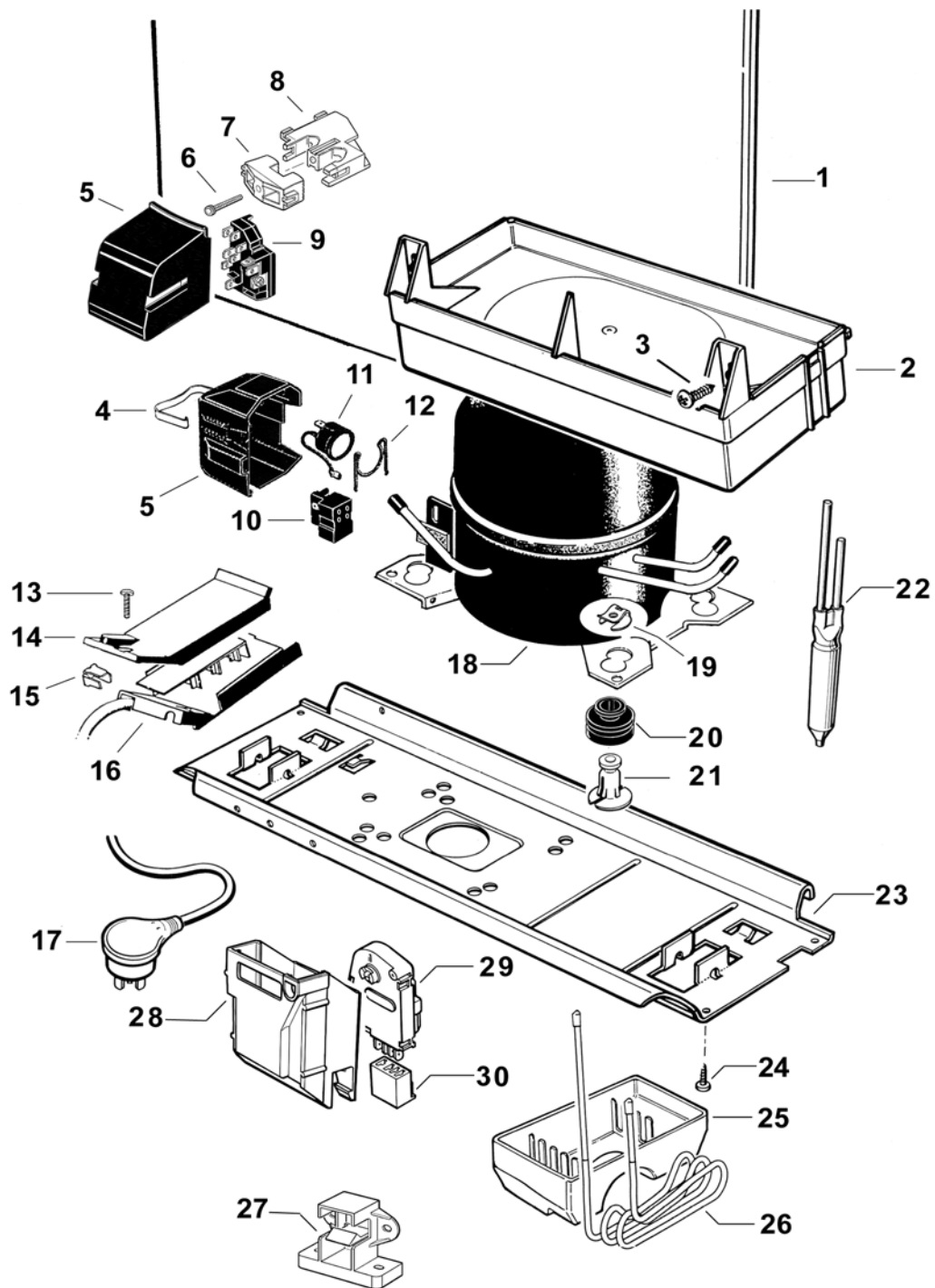
COMPRESSOR & CABINET REAR



COMPRESSOR & CABINET REAR

REF	PART	DESCRIPTION	MODEL
18	209770P	COMPR EMB FGS70HAW 220V 50/60Hz	C240B (05)
	<i>Includes</i> 209674	CLIP O/LOAD 01-246801	
	209890	O/LOAD COMPR 189NFBYY FGS70	
	209993	RELAY PTC EMBRACO 8EA 503	
	209995	PROTECTOR COVER EMBRACO	
	209996	RETAINER CABLE EMBRACO	
	502173	FILTER DRIER 12 GR DUAL BRAZED	
	872838	GROMMET COMPRESSOR MOUNTING	
	209936P	COMPR MAT SB48C10WA 220 240V 50Hz	C365H, C370
	<i>Includes</i> 207107	CLAMP B 51-326470 GREY	(02) (18) (20)
*	209862	RELAY S-PTC MM8-711B	
*	209863	COVER PROTECTOR 01-8983840	
	502173	FILTER DRIER 12 GR DUAL BRAZED	
	883810	CLAMP CORD	
	871141	SCREW 8X25 SP PAN NIB PH STZP	
	872838	GROMMET COMPRESSOR MOUNTING	
	209985P	COMPR MAT S43C10KAX0 220V 50/60Hz	C370 C373 (05)
	<i>Includes</i> 209848	COVER PROTECTOR 01-257683	
	209844	RELAY MM85CDT33M SB SERIES	
	502173	FILTER DRIER 12 GR DUAL BRAZED	
	872838	GROMMET COMPRESSOR MOUNTING	
#	207085P	COMPR MAT SB43C10GAX0 220V 50/60Hz	C370 C373
	<i>Includes</i> 207097	COVER PROTECTOR GD-036540	(05) (09)
	207098	OVERLOAD MAT 718NHBY (EXTERNAL)	
	207104	RELAY PTC MAT PTH7M330MC1	
	502173	FILTER DRIER 12 GR DUAL BRAZED	
	872838	GROMMET COMPRESSOR MOUNTING (4)	
	884283	TERMINAL AMP I-1627057-3	
#	Matsushita SB Series	Replacement Compressor – Manufacturers Standardisation Changes..	Replaces 209985P
	209999P	COMPR EMB FGS90HAW 220-240V 50Hz	C390T
	<i>Includes</i> 207080	RELAY PTC EMB 7M220MD 3	(02) (08) (12) (20)
	209674	CLIP O/LOAD 01-246801	
	209994	OVERLOAD COMPR 283KFBY FGS90	
	209995	PROTECTOR COVER EMBRACO	
	209996	RETAINER CABLE EMBRACO	
	502173	FILTER DRIER 12 GR DUAL BRAZED	
	872838	GROMMET COMPRESSOR MOUNTING	
	209298P	COMPRESSOR NA SD51C10WAY5 220 240V 50HZ	C450 (12) (20)
	<i>Includes</i> 207107	CLAMP B 51-326470 GREY	
*	209862	RELAY S-PTC MM8-711B	
*	209863	COVER PROTECTOR 01-8983840	
	502173	FILTER DRIER 12 GR DUAL BRAZED	
	883810	CLAMP CORD	
	871141	SCREW 8X25 SP PAN NIB PH STZP	
	872838	GROMMET COMPRESSOR MOUNTING	

COMPRESSOR & CABINET REAR



COMPRESSOR & CABINET REAR

REF	PART	DESCRIPTION	MODEL
19	855270	CLIP FOOT COMPRESSOR	
20	872838	GROMMET COMPRESSOR MOUNTING	
21	850265	PIN COMPRESSOR MNTG	
22	502173	FILTER DRIER 12 GR DUAL BRAZED	
23	878487	TRAY COMP MOUNTING 635	
24	900475	SCREW 8X16.4MM SP PAN NIB ST	
25	873228	TRAY WATER OVERFLOW	
26	873040	TUBE HEATER SHEATHED 4.2MM	C373, C450
	882775	TUBE HEATER SHEATHED 4.76MM	C365H, C370
27	880911	BRACKET STABILITY ASSY	C370, C373, C450
	880632	<i>BRACKET CABINET STABILITY</i>	
	880769	<i>SPACER STABLITY BRACKET</i>	
	880910	<i>PLUG MASONRY SP630 10X30MM</i>	
	880933	<i>LEAFLET STABILITY BRACKET</i>	
	901351	<i>SCREW 10X40MM P021 S/TAP ZNPL</i>	
28	855244	BRACKET DEFROST TIMER MOULDED	C373, C450
29	880729	TIMER DEFROST PARAGON 6HR 240V	Single Temp Refrig
30	805422	HOUSING RECEPT TIMER DEFROST	
		<u>PARTS NOT ILLUSTRATED</u>	
	815211	TUBE SUCTION & CAP ASSY RED TAPE	C370, C365H
	876851	TUBE SUCTION & CAP ASSY BLU TAPE	C335T
	870637	TUBE SUCTION & CAP ASSY GREEN TAPE	C390T
	881202	TUBE SUCTION & CAPILLARY ASSY	C373
	878915	TUBE SUCTION & CAPILLARY ASSY	C450
	881119	DUCT DRAIN EXTRUDED 745MM	C373
	882631	DUCT DRAIN EXTRUDED 1015MM	C450
	874329	CABLE LEAD EARTH	

MARKET CODE

- (02) PACIFIC
- (05) PHILIPPINES
- (08) FRENCH TERRITORIES (Frost Free)
- (09) FRENCH TERRITORIES (Cyclic Defrost)
- (12) AUSTRALIA
- (18) ASIA
- (20) NEWZEALAND

NOTES**DOOR ASSEMBLIES****Notes**

311024P Doors Are Not Supplied With Gaskets

312028P Doors Are Not Supplied With Gaskets

CABINET SINGLE TEMPERATURE & HC MODEL**Notes**

877222 Model C370 manufactured in Australia, use only shelf assembly PT No 877222, also used in 635 cabinets manufactured in N.Z up to Serial Number NHR143029

881166 Shelf Assembly PT No.881166 used in all 635 cabinets manufactured in N.Z from Serial Number NHR143029 onwards,this shelf will fit all positions within the provision compartment.

CABINET TOP FREEZER**Notes**

877222 Model C370 manufactured in Australia, use only shelf assembly PT No 877222, also used in 635 cabinets manufactured in N.Z up to Serial Number NHR143029

881166 Shelf Assembly PT No.881166 used in all 635 cabinets manufactured in N.Z from Serial Number NHR143029 onwards,this shelf will fit all positions within the provision compartment.

CONTROL BOX AND BUTTER CONDITIONER**Technical Bulletins**

855412P RF043

FAN AND EVAPORATOR ASSEMBLY**Technical Bulletins**

855390P RF043

COMPRESSOR & CABINET REAR**Technical Bulletins**

209862 RF100, RF98

209863 RF100, RF98

320528 RF037

855257 RF100, RF98